



FLOOR VENTILATION TUBE

VVK PLUS

GebuVolco introduces the renewed floor ventilation tube, the VVKplus.

The renewed version is developed in collaboration with an architect company and meets the standards of the most recent building requirements.

The minimal height of the VVKplus is 300 mm, as you can see on the illustration on the right. When you have to meet a higher height difference, you can lengthen the VVKplus to a maximum of 500 mm.

Besides that, an extension tube is available that can increase the length of the VVKplus with another 700 mm. This extension tube can also be placed on the downstream piece, when lengthening is necessary (as you can see on the lowest illustration).

On the back of this flyer you will find the 6 advantages of the VVKplus.

CONTACT INFORMATION

Sales, production and warehouse

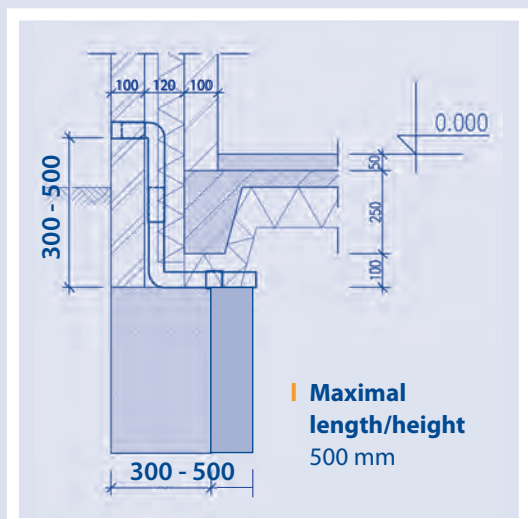
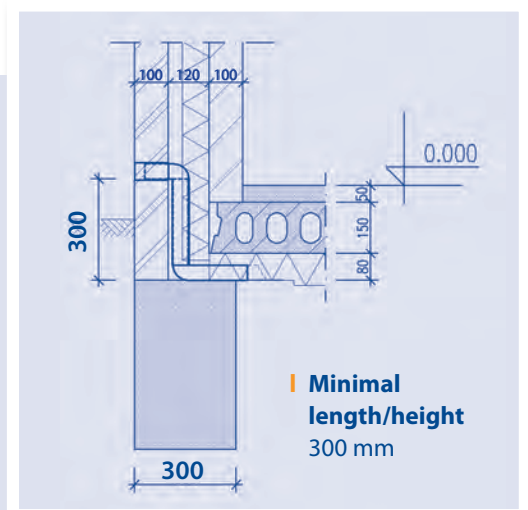
Christiaan Huygensweg 7 | Tel. +31 181 330000
 3225 LD Hellevoetsluis | Fax +31 181 320770
 The Netherlands

Sales establishment

Bramenberg 12 | Tel. +31 35 6210686
 3755 BZ Eemnes | Fax +31 35 6216374
 The Netherlands

Internet www.gebuvolco.com

E-mail info@gebuvolco.nl





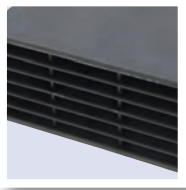
I FLOOR VENTILATION TUBE

1 | EXTRA LENGTH



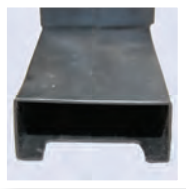
The total length of the VVKplus had increased with 100 mm. Besides that there is an extension tube available. In addition, the downstream piece is 75 mm longer, so the width of the cleft can be bridged.

2 | RAINWATER RESISTANT AND ROBUST



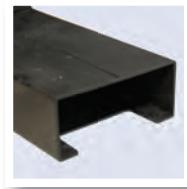
With the access grid constructed as such, it doesn't matter how it is placed. The lamella shaped grid will make sure that raindrops or run-off water cannot stream into the tube. The access grid is robust and can handle a bump.

3 | OPTIMAL AIR FLOW



The drain of the VVKplus is based on half 'Waalsteen' size. Because of this, optimal airflow is guaranteed. The smallest drain is 3920 mm².

4 | EXTRA CUT-OUT



The drain has an extra cut-out at the bottom. This will provide a better airflow. Also when the isolation material is not cut out far enough.

5 | COMPATIBLE SIZE



The VVKplus is compatible with other half 'Waalsteen' floor ventilation tubes. All half 'Waalsteen' sized components (extension tubes and access grids) can be applied. Unsalable supply is out of the question.

6 | PASTE FLAP



The paste flap on the top of the VVKplus has a double function:

1. It prevents a 'cold bridge' (fallen paste that lays on the tube and makes contact between the interior and exterior wall).
2. It prevents slipping out of water to the interior wall.

Furthermore the counter forts (from the flap to the side of the tube) will take care of the water being transported to the exterior wall.

I NEED AN EXTENSION PIECE?

There is one extension piece available for the VVKplus; totally it is 250 mm long, but it has a working length of **200 mm**. This extension piece will primarily be used to bridge a great height difference or a big cleft width.